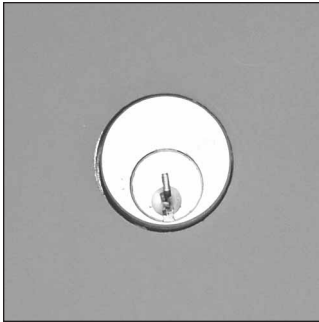
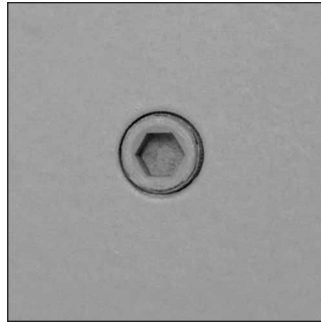


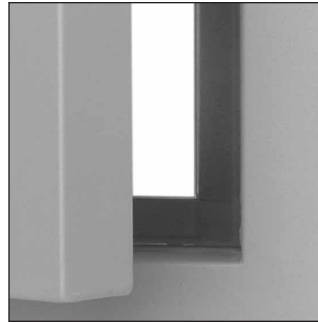


**NON-RATED & FIRE-RATED ACCESS DOORS STANDARD & OPTIONAL HARDWARE**


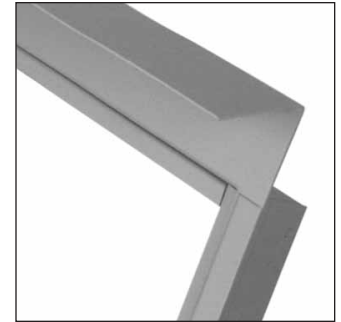
**Deadbolt Lock**  
 Standard on Model: NHS.



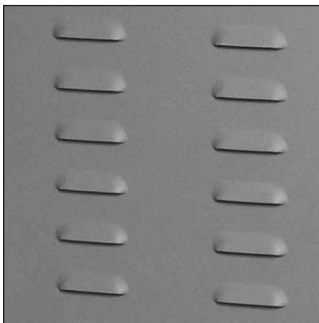
**1/4" Allen Key Operator**  
 Standard on most Fire-Rated Access Doors.



**Gasketing available on most Non-Rated Access Doors.**  
**Smoke Gasketing available on most Insulated Fire-Rated Access Doors.**



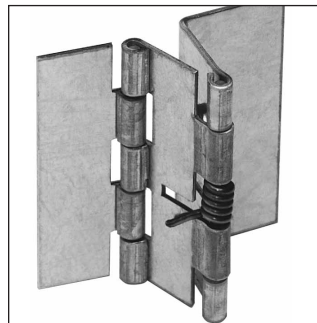
**Cap Flashing available on most Non-Rated Access Doors.**



**Louvers available on most Non-Rated Access Doors.**



**Piano Hinge available on most Non-Rated and Fire-Rated Access Doors.**



**The Van-Met Galvanized Spring Hinge.**  
 Standard on Non-Rated Models:  
 NSM, NDB, NSL, NSK, NDL.  
 Standard on Fire-Rated Models:  
 FRM, FRL, FDB, FRK.



**Inside Handle standard on Models:**  
 NUP, FAI-150, FIN-150, FAI-250.  
 Available on most Access Doors.

**INSTALLATION INSTRUCTION FOR FIRE-RATED PRODUCTS**

Maxam Access Doors have been tested (see attached listed label). Failure to follow the instructions listed below may void the fire rating of this unit.

1. For vertical or horizontal installation (see attached listed label on door) in wood or steel stud drywall and/or masonry construction, door framing will be prepared in accordance with specification for the required fire rating.
2. Finished door frame opening is to be 6mm (1/4") larger than the Van-Met door frame for each dimension of the door (Width + 6mm (1/4"), Height + 6mm (1/4")).
3. The door panel must be installed square with the door frame.
4. Do not twist or distort the door frame in any direction.
5. The door frame is to be fastened directly and securely to the wall or ceiling framing through all the holes provided in the frame. Screws shall penetrate 13mm (1/2") into steel studs and 25mm (1") into wood.
6. Cement block construction must have all inner holes capped or filled.
7. For masonry block or cast concrete construction, #10 concrete or masonry anchors that penetrate 38mm (1 1/2") must be used for all the holes provided in the door frame.
8. When correctly installed, the door will close and latch when released from an open position of approximately 90°.
9. These doors are not designed to support a live load.

Following these instructions will maintain the fire rating of the assembly as listed (see attached listed label). The installer should check with the local jurisdiction authority before installation to determine any additional requirements.



**Non-Locking Chrome Finished "T" Handle.**  
 Standard on Fire-Rated Model:  
 FCC-150.