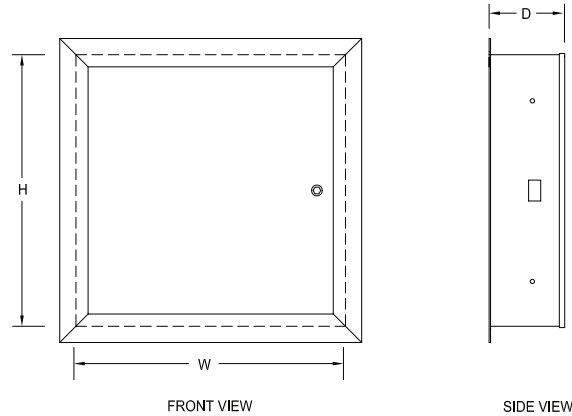


**VAN-MET® MODEL FAI-150 - Two Hour Fire-Rated
Insulated for Ceiling Application**

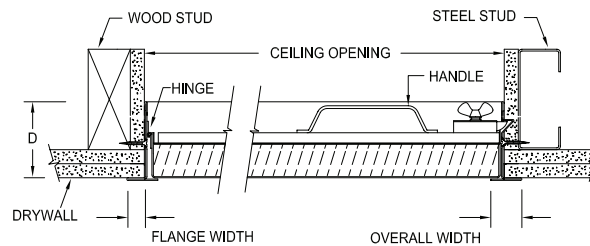
manufactured to
the **VAN-MET®**
design standard



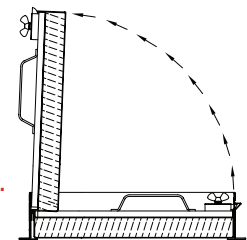
Model FAI-150 attic-ceiling fire-rated panel is manufactured under the factory inspection service of Intertek (Warnock Hersey) and has a label reading: "Listed access frame and insulated fire door assembly **2 hour fire rating. Horizontal Installation only.**"



- Surface mounted, upward opening fire-rated ceiling access door.
- For use in a ceiling application where control of temperature rise and heat transmission is required.
- Designed without the use of springs, allowing easier access through the door opening.
- Inside lifting handle is standard.
- Optional: Central two point latch operator (not available on all hardware, phone for details).
- Exterior appearance is compatible with the non-rated and fire-rated Van-Met access door line, so uniformity of design is maintained when the doors are installed in the same building.



**The FAI-150 door opens
up into the ceiling area.**



Materials

Satin finish galvanized steel or
304 stainless steel
Frame - 1.61mm (16ga)
Panel - 1.31mm (18ga)
Liner - 0.85mm (22ga)

Insulation

The door panel contains 38mm (1 1/2") of high temperature insulation material between a 1.31mm (18ga) steel panel and a 0.85mm (22ga) steel liner.

Non-Combustibility Classification:

CAN/ULC S114, ASTM E136
CAN/ULC S102
ASTM E84, UL723
Flame Spread 0
Fuel Contribution 0
Smoke Developed 0

Finishes

The paint finish is an electrostatically applied rust inhibitive prime coat or a No. 4 polished stainless steel finish on the exterior surface.

Hinge

The concealed continuous piano hinge allows the door panel to open into a vertical position. The hinge is placed on the long side of the door ("H" dimension).

Panel Closer

The design of the unit allows the door panel to be self-closing.

Latch

The standard factory installed latch is a flush mount 1/4" allen key. All fire-rated locks are self-latching and include an interior latch release.

Optional Latch

Non-locking handle

Optional Lock

1 1/8" mortise prep complete with mortise cylinder

Optional

1 1/8" mortise prep only

Flange

Exterior flange
Width - 22mm (7/8")
Overall width - 38mm (1 1/2")

Frame Depth

"D" = 89mm (3 1/2")

Ordering

Please order by rough opening size. These doors are non-returnable.

Installation

The frame is manufactured with mounting holes.

See size and weight chart on page 45.